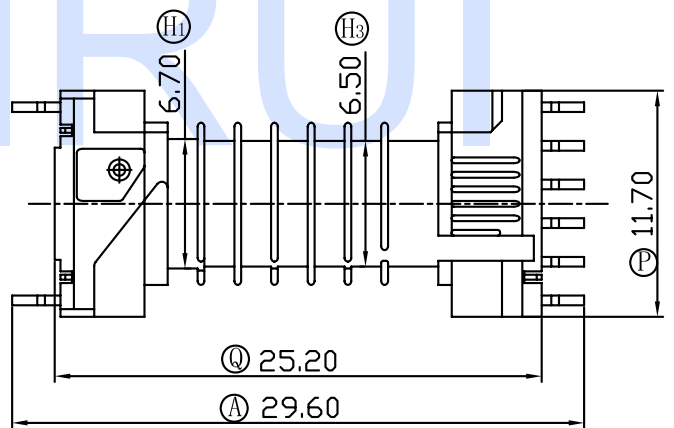
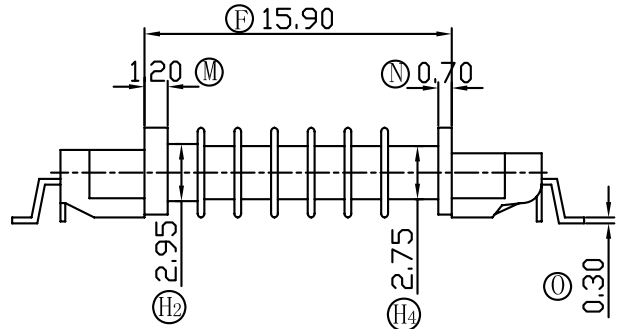
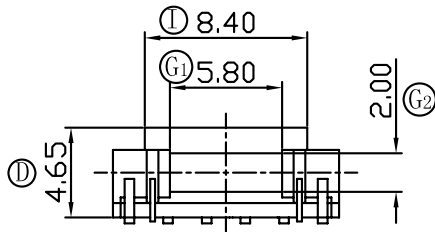
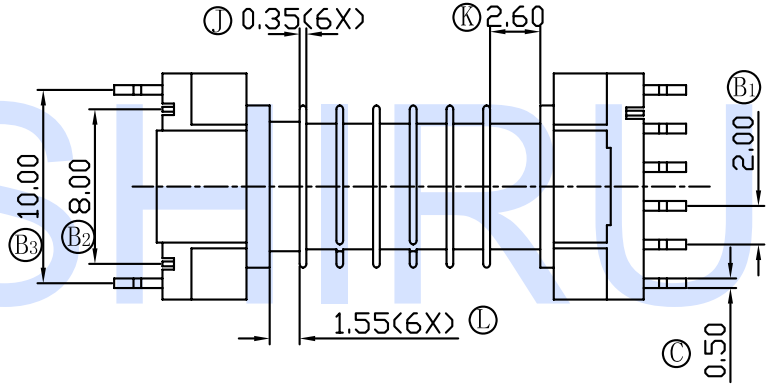
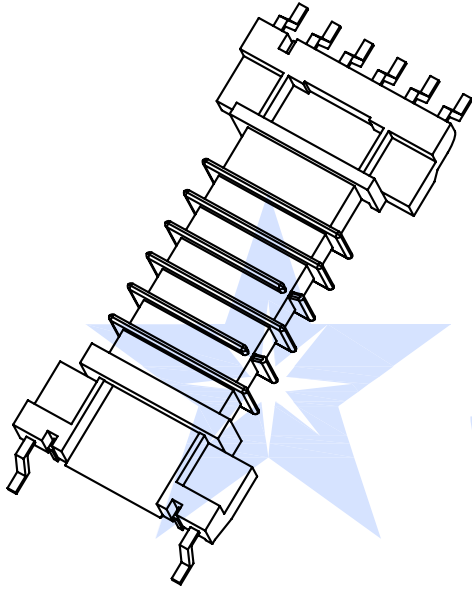


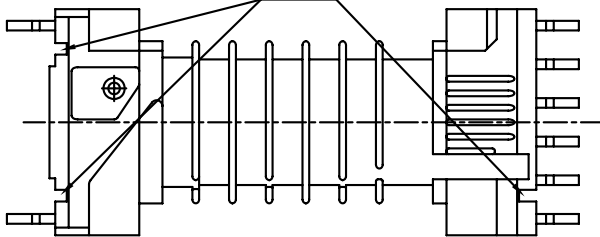
P/N

SR-SMD UI1107



SR-SMD UI1107-1

无小PIN



Hefei Shirui Electronic Technology Co., Ltd

TEL:(0086) 55165232650

sales@shiruitech.com

www.shiruitech.com

SR NO. SR-SMD UI1107	MATERIAL: LCP-E4008	UNIT: mm	DRN.	WILL H
MODEL NAME: SMD-UI11.7-7S	UL REC: UL 94V-0	TOLERANCE	CHD.	IRINA LEE
	ANGLE: ±°	0 L 4 ±0.10	ISSD.	JAMES HU
	SCALE 1:1	4 L 16 ±0.20		
		16 L 64 ±0.30		
		PIN PITCH ±0.05		